

MICRO SWITCH

A DIVISION OF MINNEAPOLIS-HONEYWELL REGULATOR COMPANY
 FREEPORT, ILLINOIS

FED. MFR. CODE 91929

ASSEMBLY - SWITCH

CATALOG LISTING

17ACI-T

M 17ACI-T

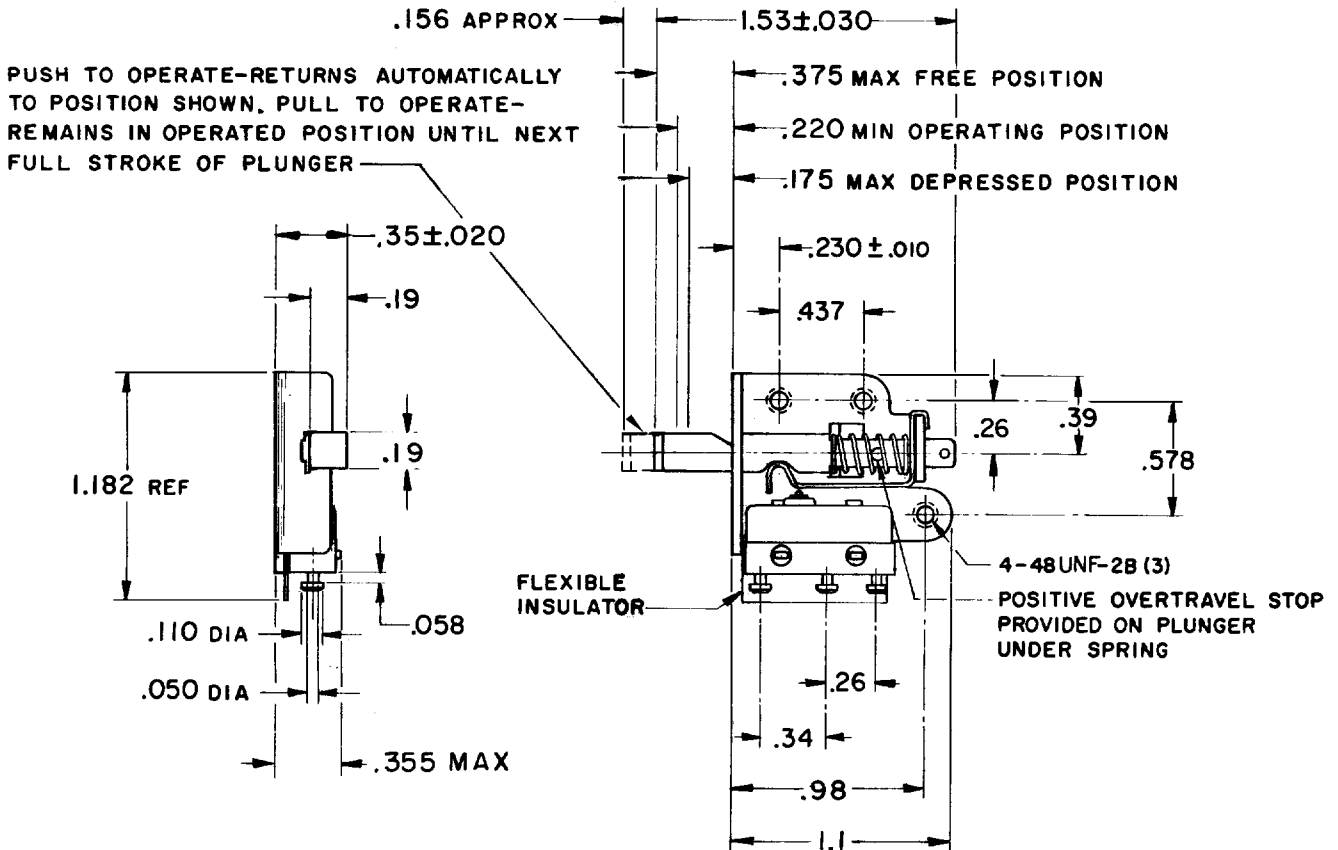
DRAWING NUMBER

ISSUE 10

RELEASE NO. SR 7894

REPLACES

REVISIONS	
A	CORR
13	RER MAR 59
B	CO13528
	RER 15 MAY 59
C	CO14049
	MBF 18 SEP 59
D	CORR
	OMW 2 FEB 60
E	CO15981
	LSD 24 AUG 61
F	CO16231
	LSD 12 SEP 61
G	CO23756
	ORD 27 FEB 68
H	CO24376
	RER 19 JUN 68
J	CO-82803-B
	CSL 11 SEP 96



FORMTEK

DRAWN

R. E. R 5 NOV 58

CHECK CCH 24 NOV 58

R. E. R 6 NOV 58

CHECK RLB

THIS DRAWING COVERS A PROPRIETARY ITEM AND IS THE PROPERTY OF MICRO SWITCH, A DIVISION OF MINNEAPOLIS-HONEYWELL REGULATOR CO. THIS DRAWING IS NOT TO BE COPIED OR USED WITHOUT THE APPROVAL OF MICRO SWITCH.

CHARACTERISTICS
TOTAL TRAVEL
© .156 APPROX PUSH DIRECTION
.156 APPROX PULL DIRECTION
FULL OVERTRAVEL FORCE -- 2 LBS APPROX

ELECTRICAL DATA	
CONTACT ARRANGEMENT	S P D T
250 VAC	5 AMPS
30 VOLTS DC RATING	
INDUCTIVE	SEA LEVEL --- 3 AMPS
	50,000 FT. --- 2.5 AMPS
RESISTIVE	SEA LEVEL --- 5 AMPS
	50,000 FT. --- 5 AMPS
MAXIMUM INRUSH	24 AMPS

SCALE FULL
DO NOT SCALE PRINT
UNLESS OTHERWISE SPECIFIED
DIMENSIONS ARE IN INCHES
TOLERANCES ARE:
ONE PLACE (.0) ±.030
TWO PLACE (.00) ±.015
THREE PLACE (.000) ±.005
ANGLES ±
WEIGHT .02 LBS APPROX